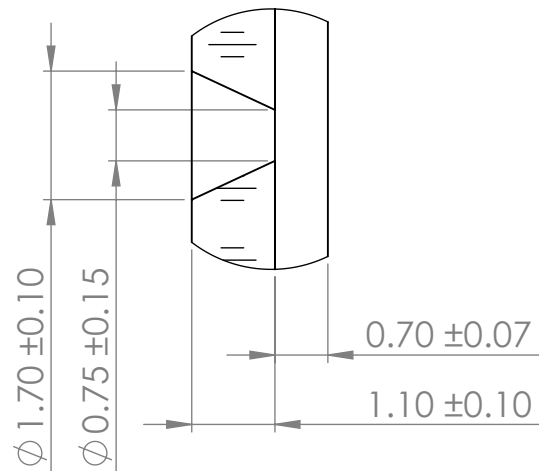
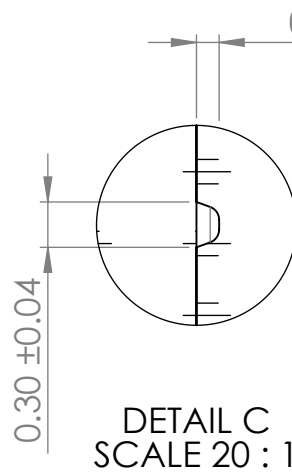


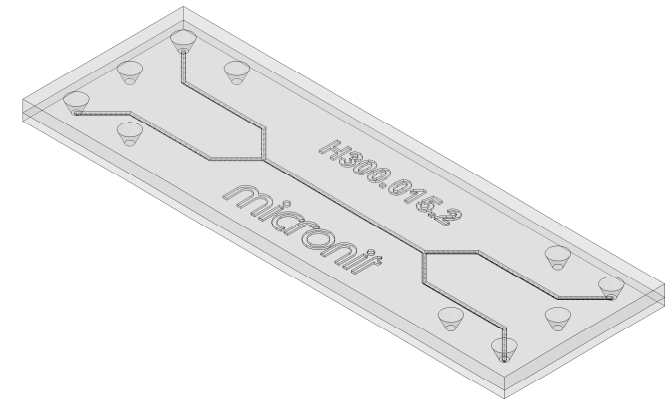
	Length [mm]	#	Volume [μl]
In-/Outlet channel	14.5	4	0.55
Microreactor channel	14.8	1	0.55
Microreactor H300.015.2			2.75



DETAIL B  
SCALE 10 : 1



DETAIL C  
SCALE 20 : 1



	UNLESS OTHERWISE SPECIFIED: DIMENSIONS ARE IN MILLIMETERS			SURFACE FINISH: 	Sheet format: <b>A4</b>
	THIRD ANGLE PROJECTION	SURFACE TREATMENT: TOLERANCES: LINEAR: ANGULAR:			±. ±.
DRAWN	NAME	SIGNATURE	DATE	TITLE:	
MOD	BvD		3-5-2016	<b>Microreactor H300.015.2</b>	
CHK'D				DWG NO.	REVISION
<b>PROPRIETARY AND CONFIDENTIAL</b> THE INFORMATION CONTAINED IN THIS DRAWING IS THE SOLE PROPERTY OF MICRONIT MICROFLUIDICS BV. ANY REPRODUCTION IN PART OR AS A WHOLE WITHOUT THE WRITTEN PERMISSION OF MICRONIT MICROFLUIDICS BV IS PROHIBITED.			Projectnr. RD0931.003	H300.015.2	0
MATERIAL: Borofloat glass			WEIGHT: 2.94	SCALE: 2:1	DO NOT SCALE DRAWING
					SHEET 1 OF 1