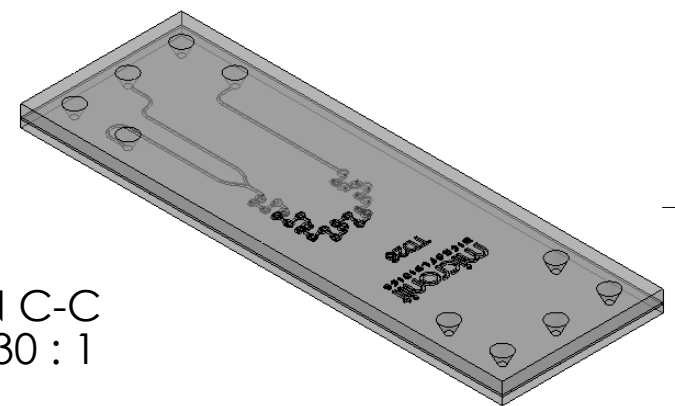
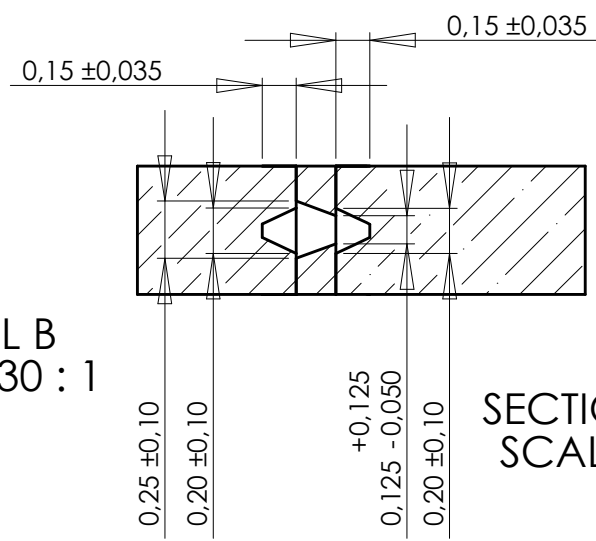
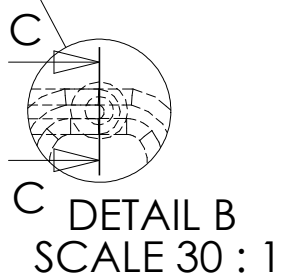
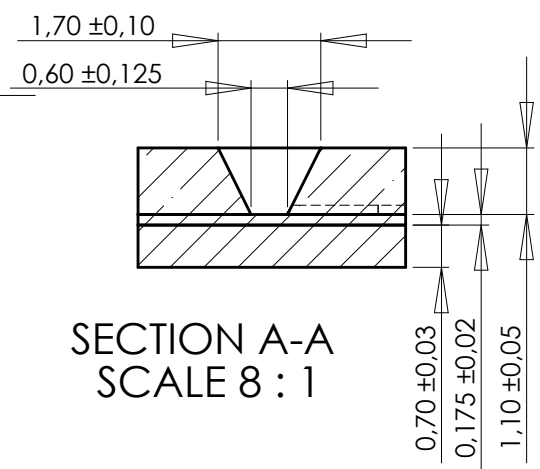


		Length [mm]	Volume [μl]
Inlet	2x	17	
Mixing area	1x	40	2
Outlet	1x	13	



SECTION A-A  
SCALE 8 : 1

0,70 ± 0,03  
0,175 ± 0,02  
1,10 ± 0,05

DETAIL B  
SCALE 30 : 1

SECTION C-C  
SCALE 30 : 1

UNLESS OTHERWISE SPECIFIED: DIMENSIONS ARE IN MILLIMETERS SURFACE FINISH: TOLERANCES: LINEAR: ANGULAR:				FINISH:	
NAME	SIGNATURE	DATE			
DRAWN A. Hubers		5-9-2008			
MOD. W.Buesink		15-10-2008			
<b>PROPRIETARY AND CONFIDENTIAL</b> THE INFORMATION CONTAINED IN THIS DRAWING IS THE SOLE PROPERTY OF MICRONIT MICROFLUIDICS BV. ANY REPRODUCTION IN PART OR AS A WHOLE WITHOUT THE WRITTEN PERMISSION OF MICRONIT MICROFLUIDICS BV IS PROHIBITED.			MATERIAL:		
			Glass (D263)		
			WEIGHT:		

DO NOT SCALE DRAWING		REVISION	1.1
<b>Micronit Microfluidics BV.</b>			
TITLE: <b>Example chip drawing</b>			
DWG NO.	<b>TD26 General</b>		A4
SCALE:2:1	SHEET 1 OF 1		

Release for quotation purposes only