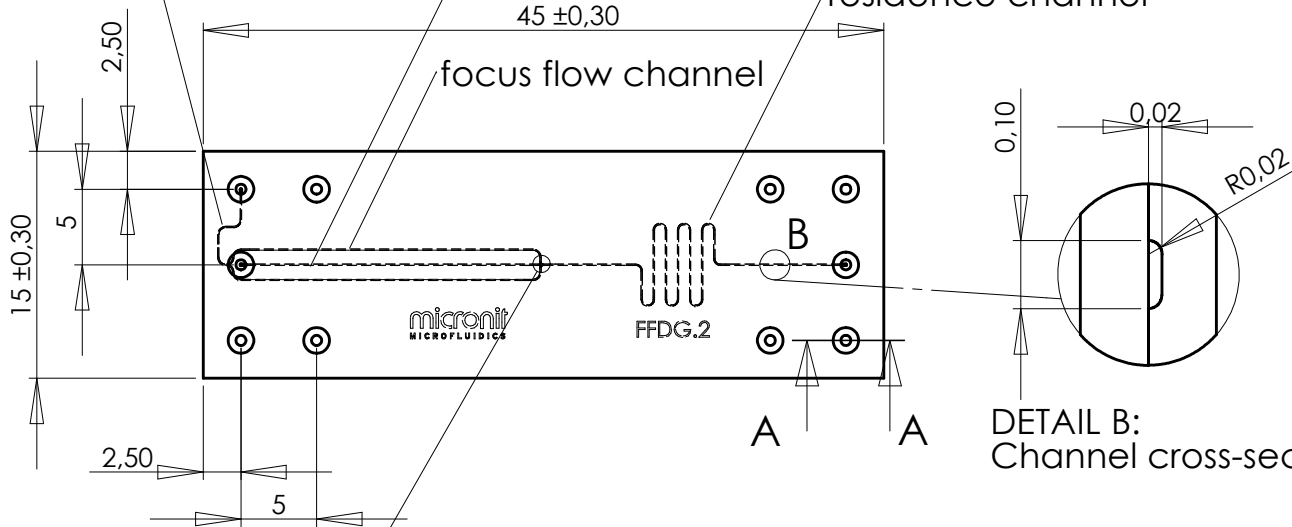


inlet channel

droplet inlet channel

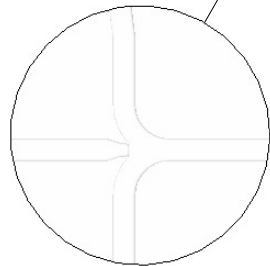
residence channel

focus flow channel

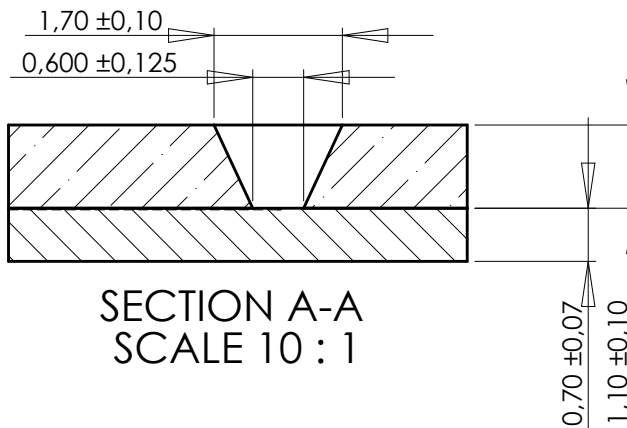


	Lenght [mm]	#	Volume [μl]
Inlet channel	6.4	1x	0.01
Focus flow channel	22.3	2x	0.04
Droplet inlet channel	19.7	1x	0.04
Residence channel	50	1x	0.09

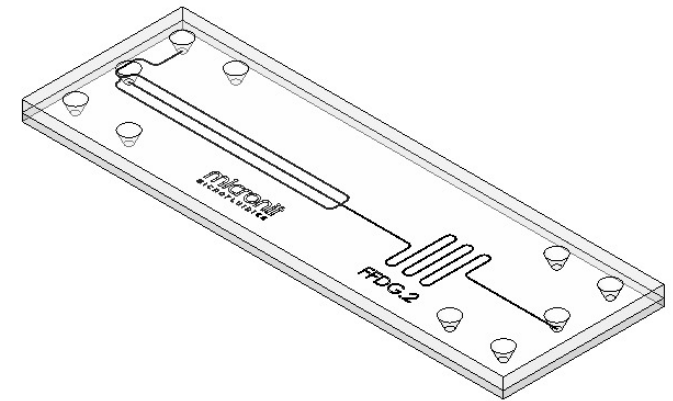
DETAIL B:  
Channel cross-section



DETAIL C  
SCALE 30 : 1



SECTION A-A  
SCALE 10 : 1



UNLESS OTHERWISE SPECIFIED:  
DIMENSIONS ARE IN MILLIMETERS  
SURFACE FINISH:  
TOLERANCES:  
LINEAR:  
ANGULAR:

FINISH:

DO NOT SCALE DRAWING

REVISION 1.0

Micronit Microfluidics BV.

	NAME	SIGNATURE	DATE
DRAWN	W.Buesink		23-02-2009
MOD.			

TITLE:

Example chip drawing

PROPRIETARY AND CONFIDENTIAL

THE INFORMATION CONTAINED IN THIS DRAWING IS THE SOLE PROPERTY OF MICRONIT MICROFLUIDICS BV. ANY REPRODUCTION IN PART OR AS A WHOLE WITHOUT THE WRITTEN PERMISSION OF MICRONIT MICROFLUIDICS BV IS PROHIBITED.

MATERIAL:  
Borofloat  
Glass

DWG NO.

FFDG.2

A4

Release for quotation purposes only

WEIGHT:

SCALE:2:1

SHEET 1 OF 1