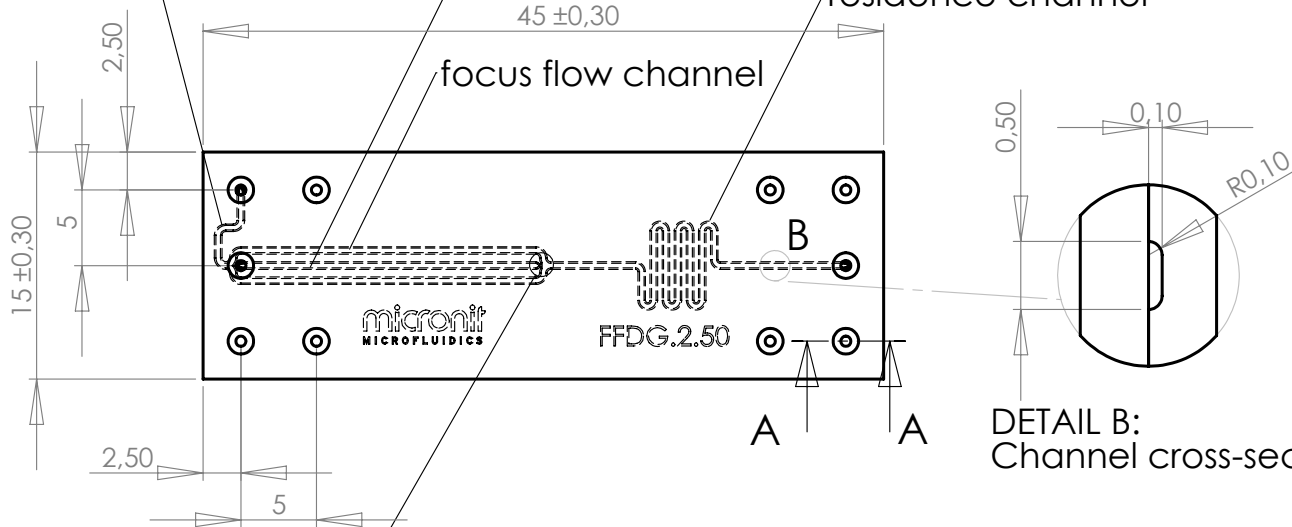
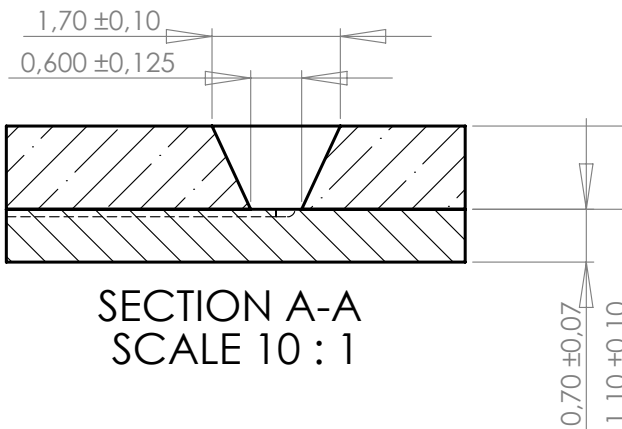


inlet channel
 droplet inlet channel
 residence channel
 focus flow channel

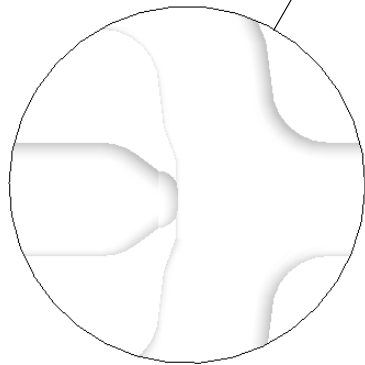
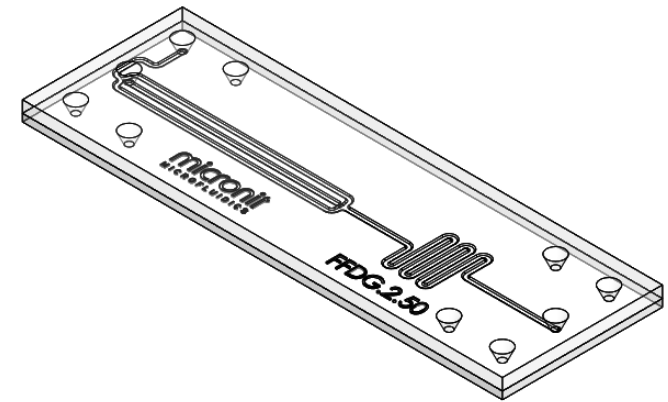


	Lenght [mm]	#	Volume [μl]
Inlet channel	6.4	1x	0.3
Focus flow channel	22.3	2x	1.0
Droplet inlet channel	19.7	1x	2.3
Residence channel	50	1x	0.9

DETAIL B:
 Channel cross-section



SECTION A-A
 SCALE 10 : 1



DETAIL C
 SCALE 30 : 1

UNLESS OTHERWISE SPECIFIED:
 DIMENSIONS ARE IN MILLIMETERS
 SURFACE FINISH:
 TOLERANCES:
 LINEAR:
 ANGULAR:

FINISH:

DO NOT SCALE DRAWING

REVISION 1.0

	NAME	SIGNATURE	DATE
DRAWN	W.Buesink		28-06-2011
MOD.			

TITLE:

Micronit Microfluidics BV.

Example chip drawing

PROPRIETARY AND CONFIDENTIAL

THE INFORMATION CONTAINED IN THIS DRAWING IS THE SOLE PROPERTY OF MICRONIT MICROFLUIDICS BV. ANY REPRODUCTION IN PART OR AS A WHOLE WITHOUT THE WRITTEN PERMISSION OF MICRONIT MICROFLUIDICS BV IS PROHIBITED.

MATERIAL:
 Borofloat
 Glass

DWG NO.

FFDG.2.50

A4

Release for quotation purposes only

WEIGHT:

SCALE:2:1

SHEET 1 OF 1

1

2