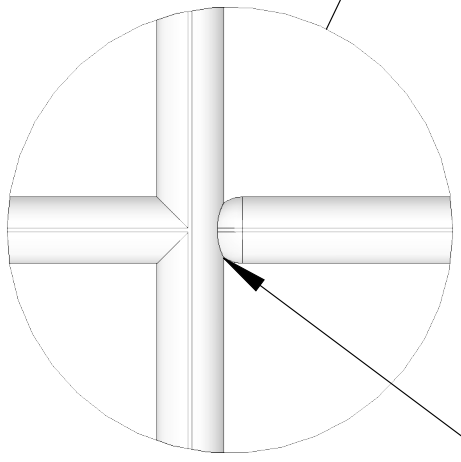
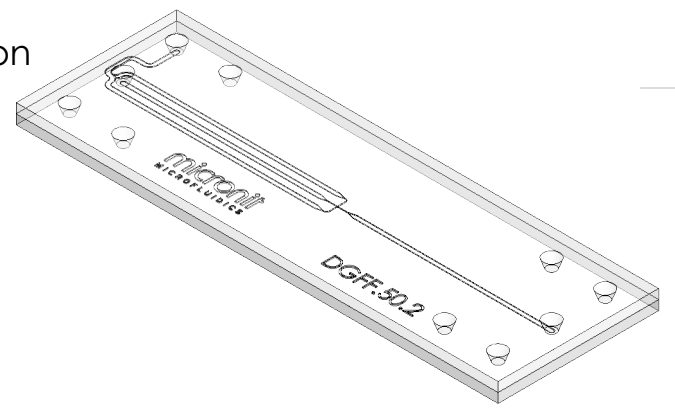
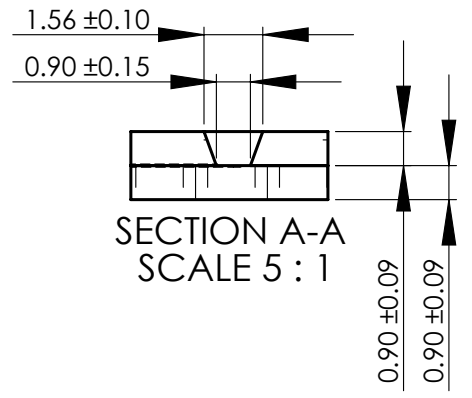
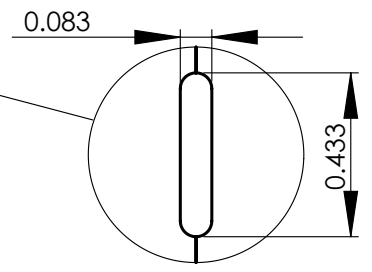


		Length [mm]	#	Volume [μl]
1	Continuous inlet channel	7.75	1	0.27
2	Continuous channel	20.8	2	0.72 (1.44 tot.)
3	Dispersed channel	18.5	1	0.64
4	Outlet channel	18.5	1	0.64



Nozzle dimensions:
0.050 x 0.072

DETAIL C
SCALE 100 : 1

<p>THIRD ANGLE PROJECTION</p>	UNLESS OTHERWISE SPECIFIED: DIMENSIONS ARE IN MILLIMETERS			SURFACE FINISH: -	Sheet format: A4
	SURFACE TREATMENT: TOLERANCES: LINEAR: ±. ANGULAR: ±.				DEBUR AND BREAK SHARP EDGES
DRAWN BvD	SIGNATURE	DATE 26-8-2016	TITLE: DGFF.50.2		
MOD					
CHK'D WB		18-5-2016			
Projectnr. RD0961.002		MATERIAL: Borofloat Glass		DWG NO. DGFF.50.2	REVISION 1
WEIGHT: 2.95		SCALE: 2:1	DO NOT SCALE DRAWING		SHEET 1 OF 1



PROPRIETARY AND CONFIDENTIAL
THE INFORMATION CONTAINED IN THIS DRAWING IS THE SOLE PROPERTY OF MICRONIT MICROFLUIDICS BV. ANY REPRODUCTION IN PART OR AS A WHOLE WITHOUT THE WRITTEN PERMISSION OF MICRONIT MICROFLUIDICS BV IS PROHIBITED.