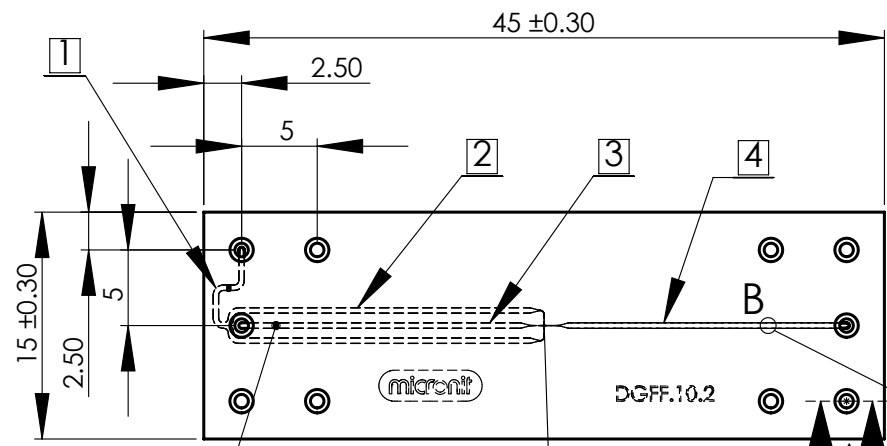
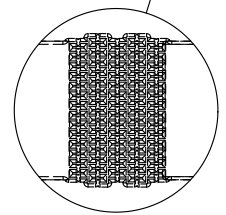
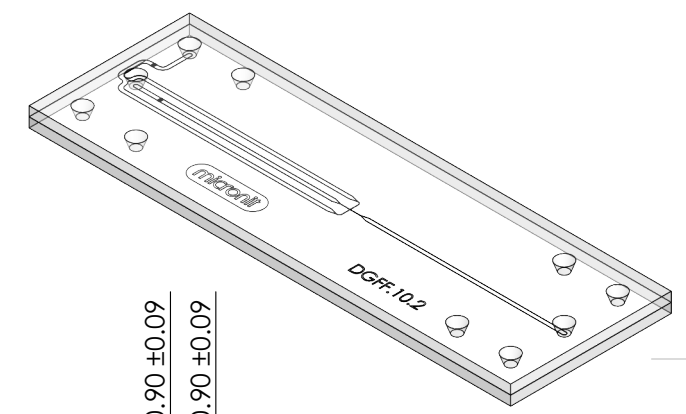
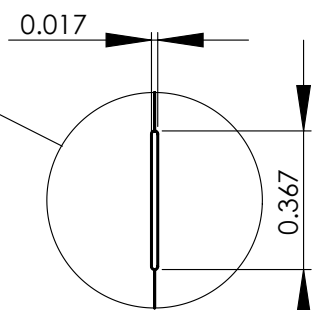


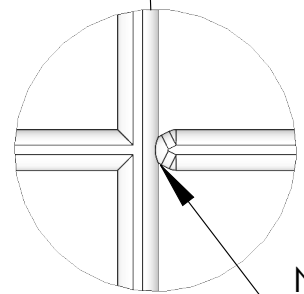
1 2 3 4 5 6



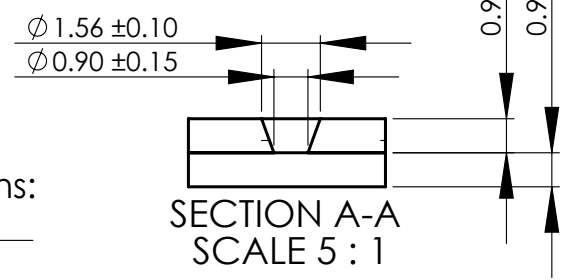
		Length [mm]	#	Volume [μl]
1	Continuous inlet channel	7.75	1	0.047
2	Continuous channel	20.8	2	0.127 (0.25 tot.)
3	Dispersed channel	18.5	1	0.11
4	Outlet channel	18.5	1	0.11



**DETAIL E**  
SCALE 50 : 1  
Filter structure at continuous inlet channel and dispersed channel



**DETAIL C**  
SCALE 250 : 1  
Nozzle dimensions: 0.010x0.014



**SECTION A-A**  
SCALE 5 : 1

UNLESS OTHERWISE SPECIFIED: DIMENSIONS ARE IN MILLIMETERS

SURFACE FINISH: -

Sheet format: **A4**

THIRD ANGLE PROJECTION

SURFACE TREATMENT: -

TOLERANCES: LINEAR: ±. ANGULAR: ±.

DEBUR AND BREAK SHARP EDGES



**PROPRIETARY AND CONFIDENTIAL**

THE INFORMATION CONTAINED IN THIS DRAWING IS THE SOLE PROPERTY OF MICRONIT MICROFLUIDICS BV. ANY REPRODUCTION IN PART OR AS A WHOLE WITHOUT THE WRITTEN PERMISSION OF MICRONIT MICROFLUIDICS BV IS PROHIBITED.

NAME	SIGNATURE	DATE	TITLE:
DRAWN: BvD		29-3-2017	<b>DGFF.10.2</b>
MOD:			
CHK'D: WB		16-9-2016	
Projectnr.	RD0961.002		DWG NO. <b>DGFF.10.2</b>
MATERIAL:	Borofloat Glass		
WEIGHT: 2.96	SCALE: 2:1	DO NOT SCALE DRAWING	REVISION 1