

# VALVES RANGE & MUX WIRE VALVES & VALVE CONTROLLER

ELVEFLOW.COM / MICROFLUIDIC-PRODUCTS/MICROFLUIDICS-FLOW-CONTROL-SYSTEMS/VALVE-CONTROLLER/

## PLUG YOUR VALVES ANYWHERE IN YOUR MICROFLUIDIC SETUP

- ✓ MIX ALL KINDS OF VALVES
- ✓ PLUG FROM 1 TO 8 VALVES
- ✓ LIQUID INJECTION AUTOMATION



### SMART LOW PRESSURE VALVE 2-WAY OR 3-WAY

**2-WAY:** Pick default setting: open or closed

- > Compatible with gas or liquid
- > ROCKER® valve technology
- > Low internal volume
- > Wide pressure range: -0.90 bar to 3 bar (-14 psi to 44 psi)
- > Wetted Materials: PEEK, FKM



### SMART HIGH PRESSURE VALVE 2-WAY OR 3-WAY

**2-WAY:** Pick default setting: open or closed

- > Compatible with gas or liquid
- > ROCKER® valve technology
- > Low internal volume
- > Wide pressure range: -0.75 bar to 6 bar (-11 psi to 87 psi)
- > Wetted Materials: PEEK, FKM



### SMART LOW VOLUME VALVE 2-WAY

- > Compatible with gas or liquid
- > Low internal volume: 14.7 µL
- > Wide pressure range: 0 bar to 5 bar (0 psi to 73 psi)
- > Wetted Materials: PEEK, FKM

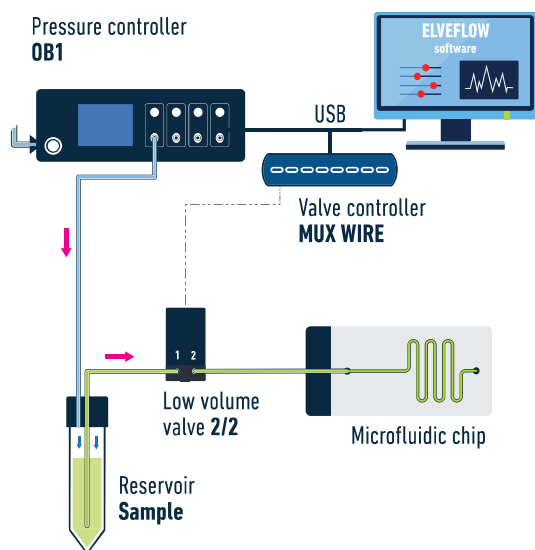


### MUX WIRE V3 VALVE CONTROLLER

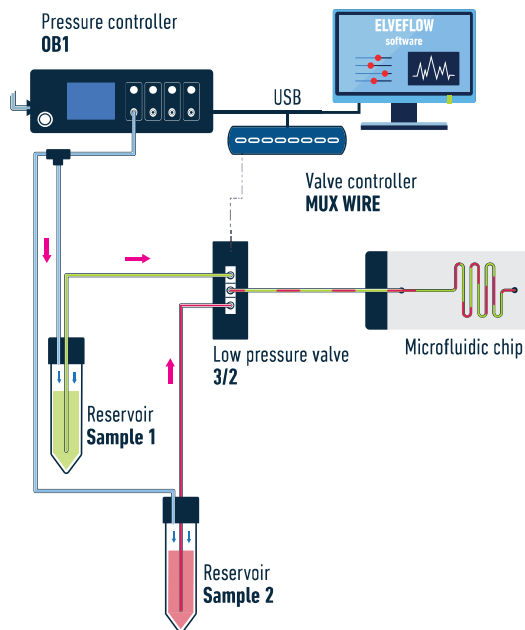
Easily control your microfluidic valves

- > Fast liquid switching
- > Detect automatically all smart valves
- > Complex sequences of injection including flushing, rinsing, and sequential injection of several liquids

## MICROFLUIDIC 2-WAY VALVE



## MICROFLUIDIC 3-WAY VALVE



## TECHNICAL SPECIFICATIONS

VALVES RANGE	VALVES TYPE		
<b>Low pressure valve</b> -0.90 bar to 3 bar (-14 psi to 44 psi) Fittings: Standard 1/4-28" Switching time: <10 ms	2-way Normally open Internal volume: 25 µL	2-way Normally closed Internal volume: 25 µL	3-way Internal volume: 32 µL
<b>High pressure valve</b> -0.75 bar to 6 bar (-11 psi to 87 psi) Fittings: 10-32 Switching time: 15 ms	2-way Normally open Internal volume: 55.5 µL	2-way Normally closed Internal volume: 55.5 µL	3-way Internal volume: 58.25 µL
<b>Low volume valve</b> 0 bar to 5 bar (0 psi to 73 psi) Fittings: 10-32 Switching time: 20 ms	2-way Normally closed Internal volume: 14.7 µL		

Non-contractual information, may be changed without notice.

**VALVES DIMENSIONS** without connectors (length x width x height): **LOW & HIGH PRESSURE:** 52 x 34 x 80 mm **LOW VOLUME:** 57 x 34 x 51 mm

VALVE CONTROLLER	SPECIFICATIONS
Number of controlled valves	8
Bus interface	USB
Power supply	18-24, 1.5 A
Max total power (sum of the power of all connected valves)	36 W
Max valve power	10 W
Valve connectors	USB-C

Non-contractual information, may be changed without notice.

**VALVE CONTROLLER DIMENSIONS** without connectors (length x width x height): 140 x 96 x 35 mm **WEIGHT:** 374 g **TTL TRIGGER:** input/output 5 V